

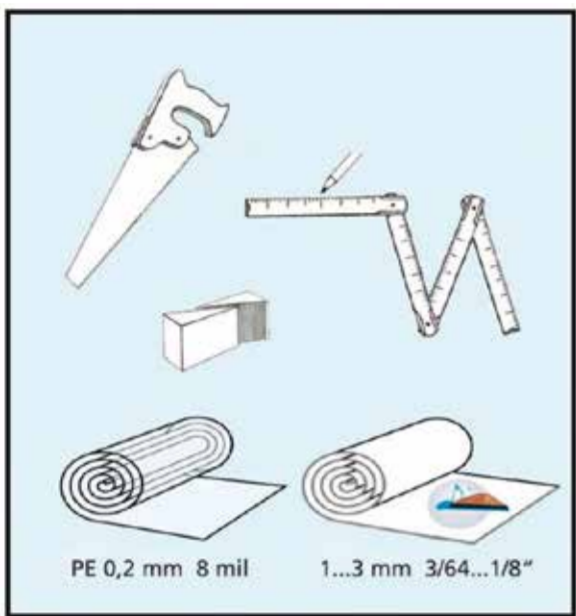
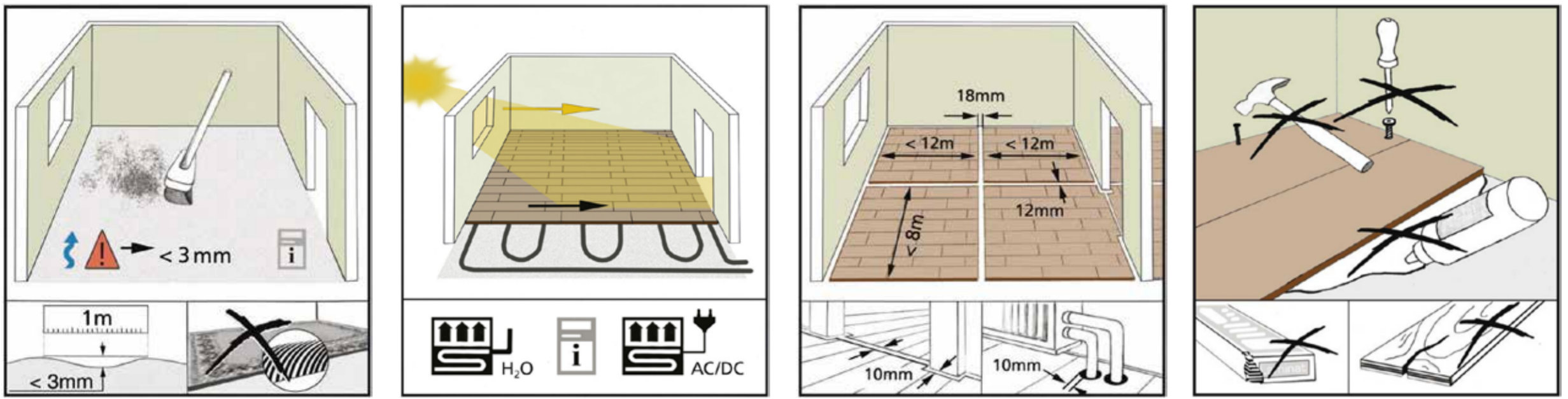
# Preparation for installation

**KRONOTEX** QUALITY MADE IN GERMANY

Prior to laying, please store KRONOTEX flooring horizontally in its unopened packaging at room temperature for a minimum of 48 hours so that the planks have enough time to reach room temperature.

The following ambient conditions should prevail previous to, during, and three days following installation:

Floor surface: min. 15°C  
 Air temperature: min. 18°C  
 Humidity: 50 - 75%



# Installation

